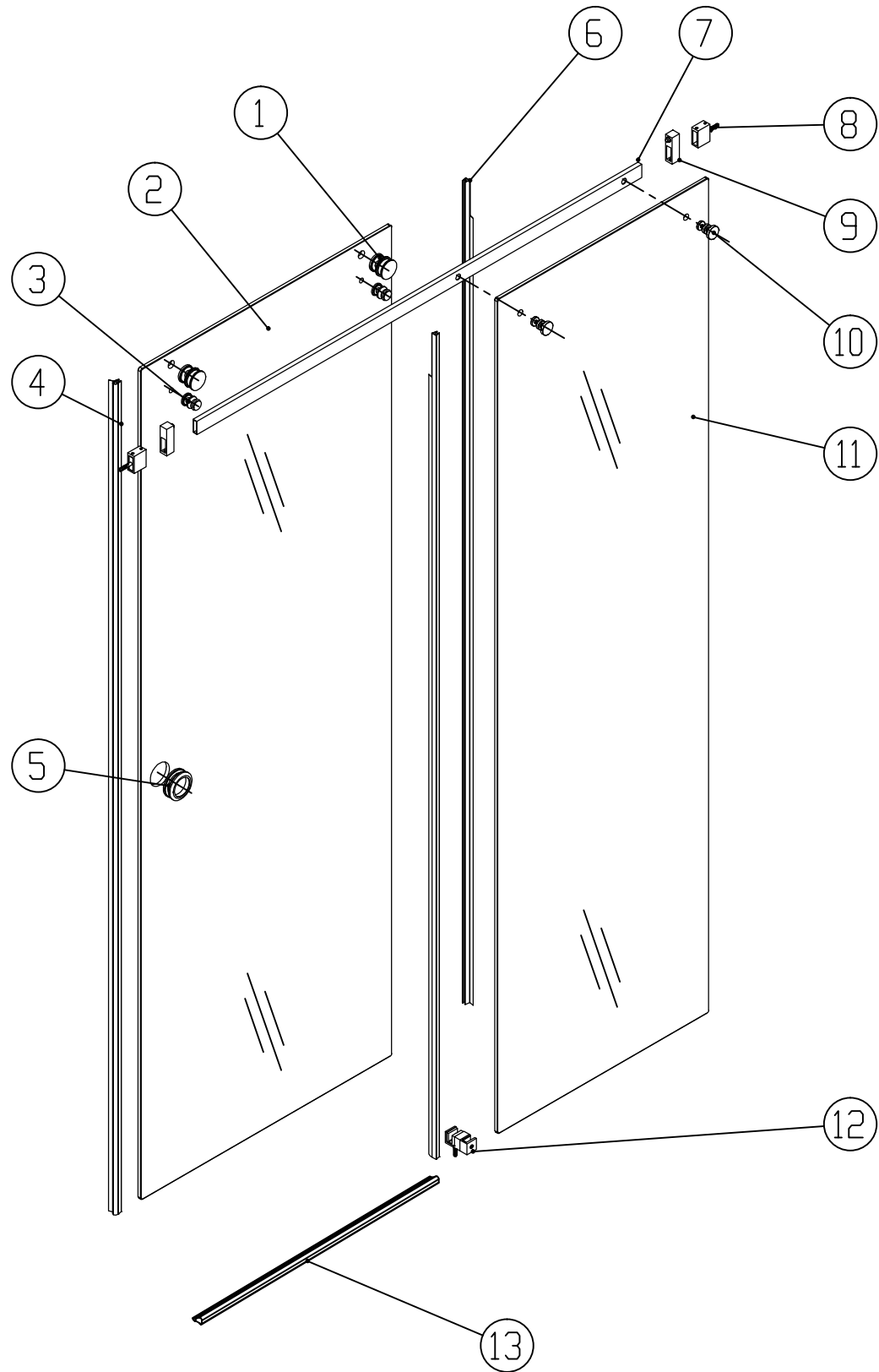




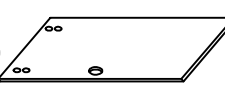
Installation manual

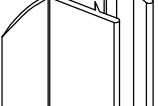


①  2 PCS

⑤  1 PC

⑨  2 PCS

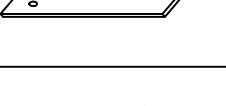
②  1 PC

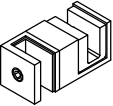
⑥  2 PCS

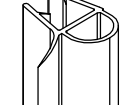
⑩  2 PCS

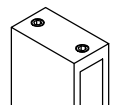
③  2 PCS

⑦  30x10x1.5 1PC

⑪  1 PC

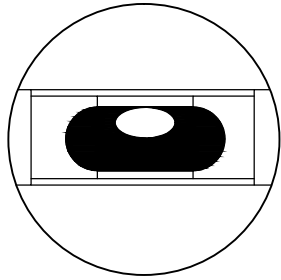
⑫  1 PC

④  1 PC

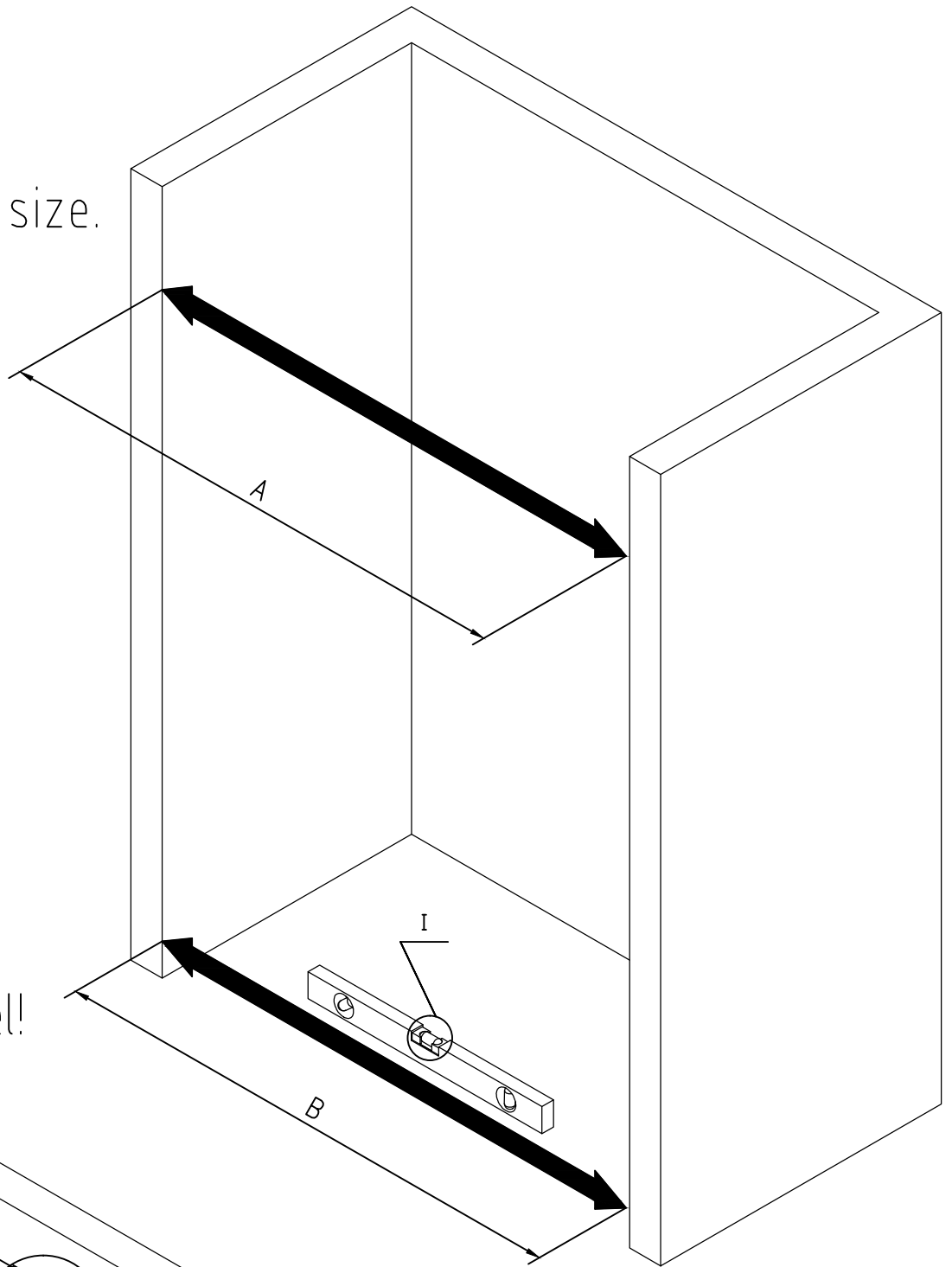
⑧  2 PCS

⑬  1 PC

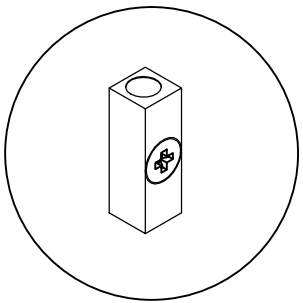
Measure whether the A/B position size is the installation size.



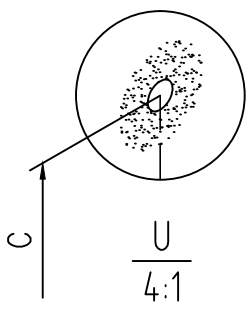
Top view



The ground location must be level!

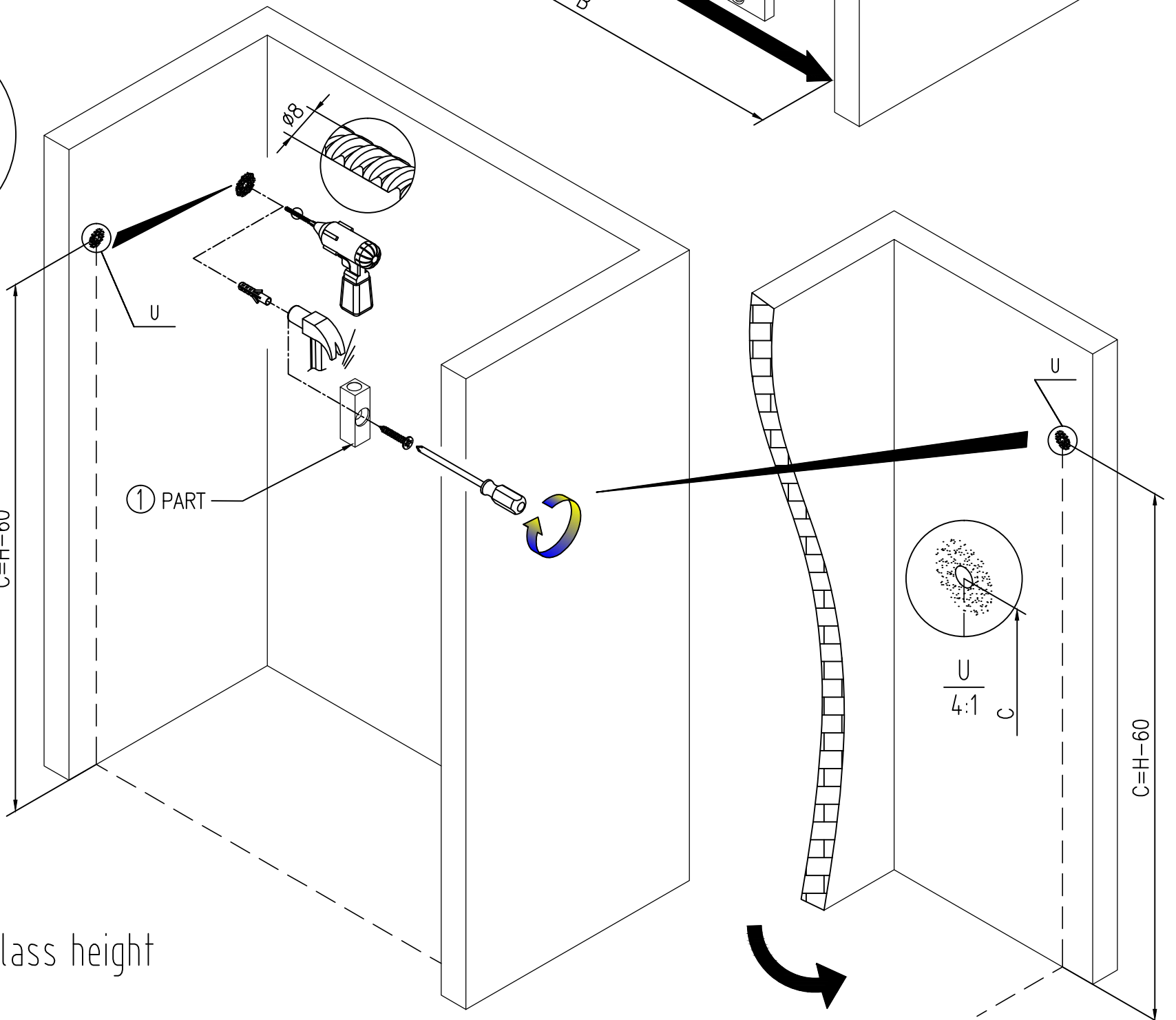


OK

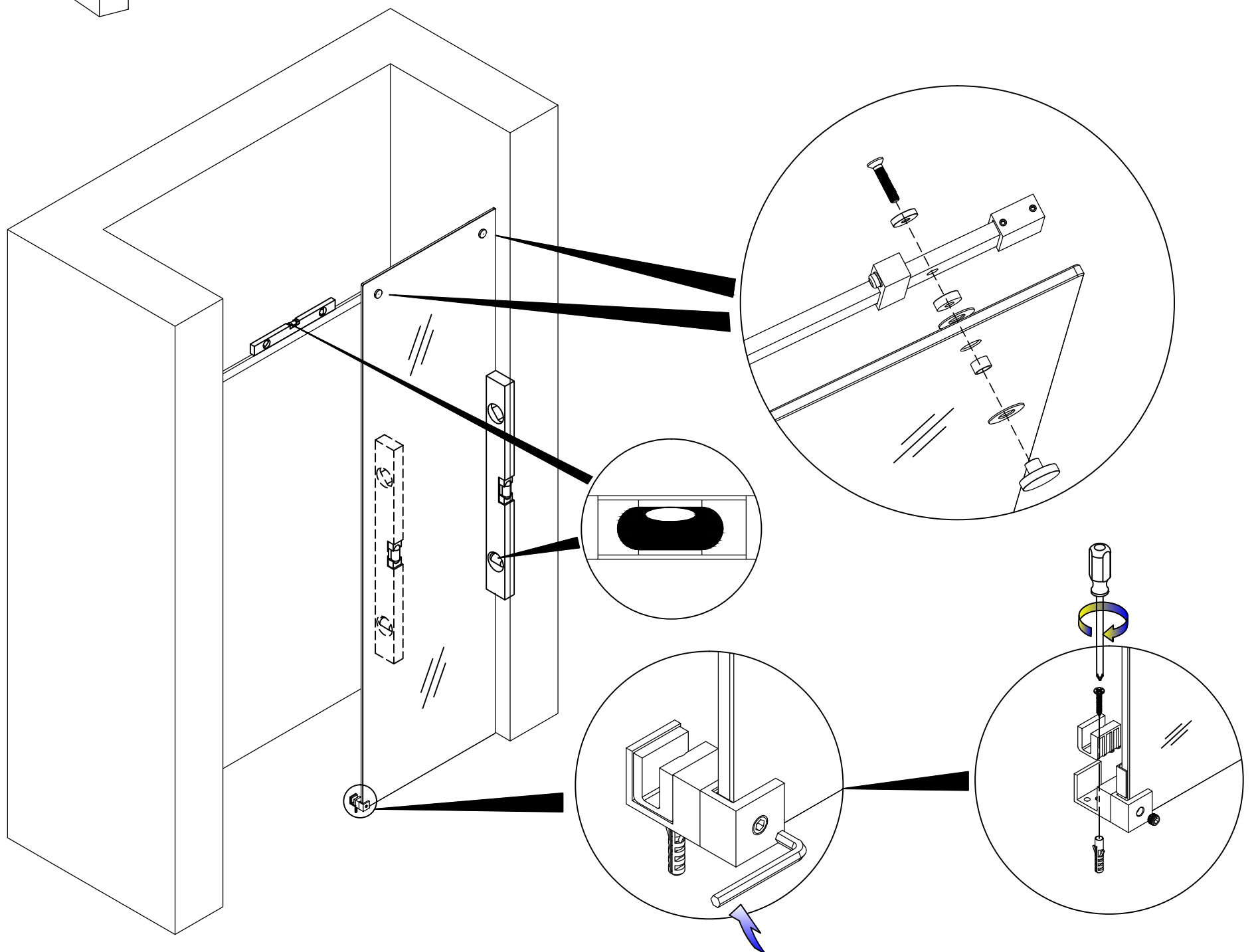
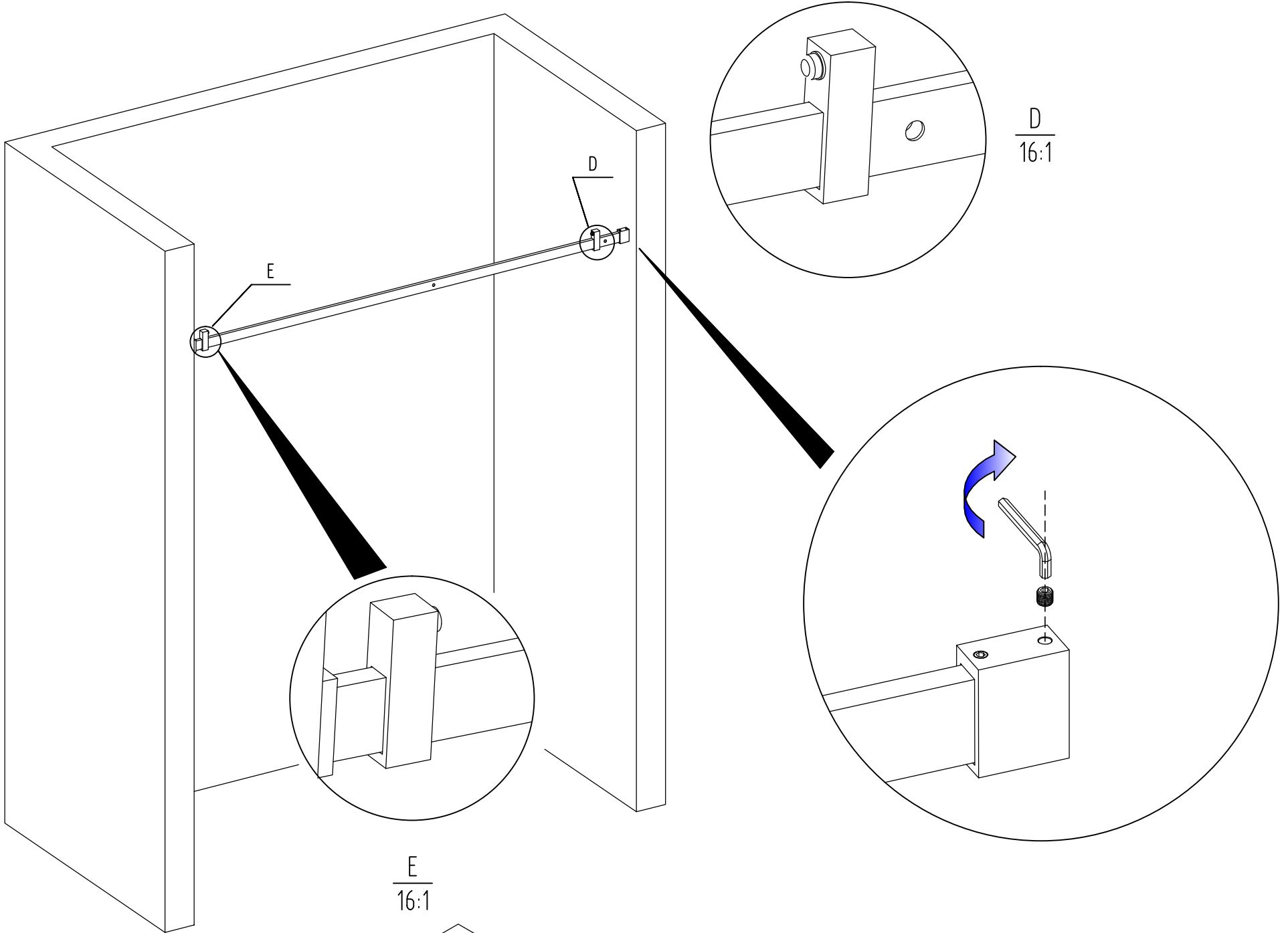


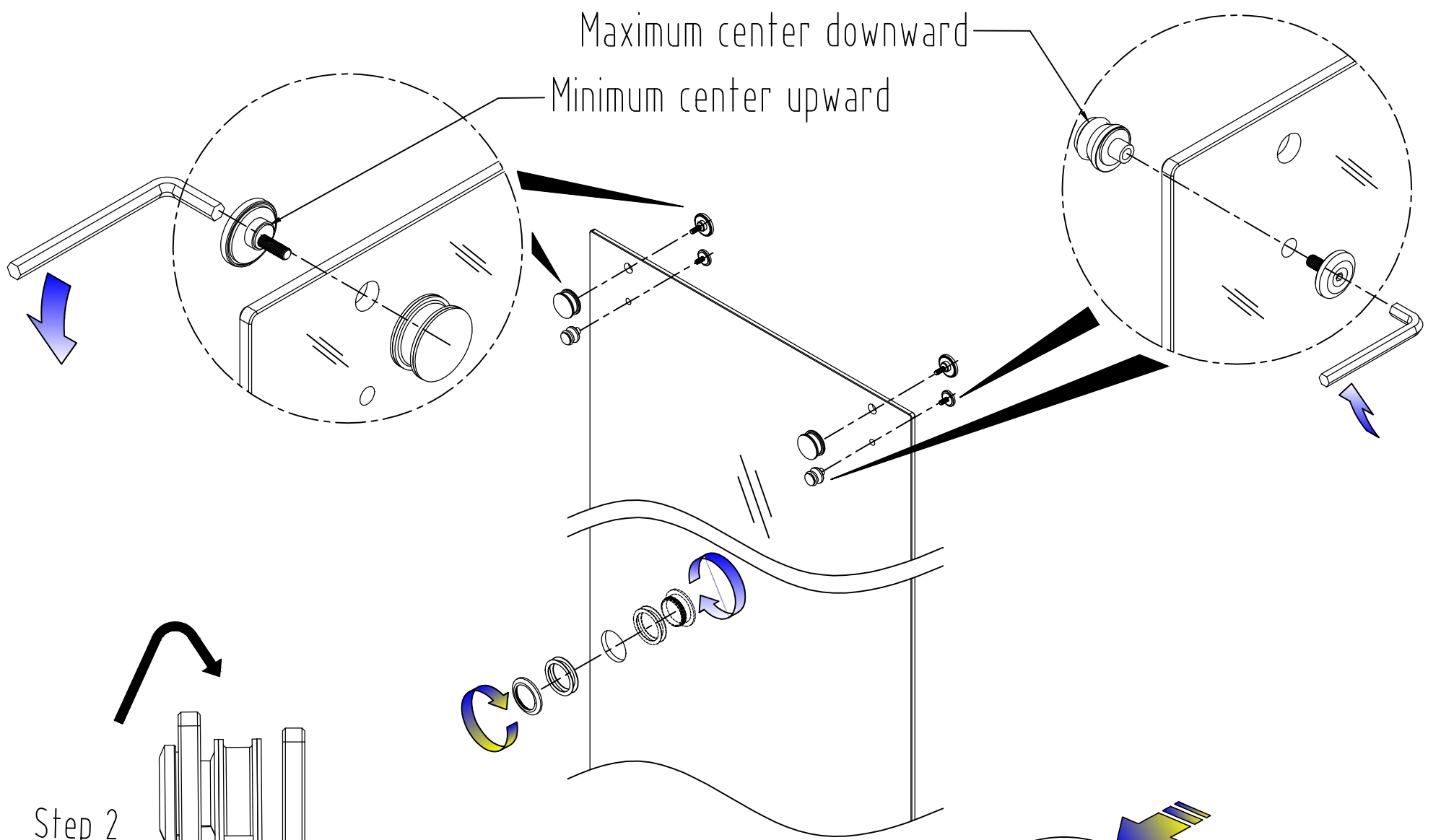
$C=H-60$

① PART

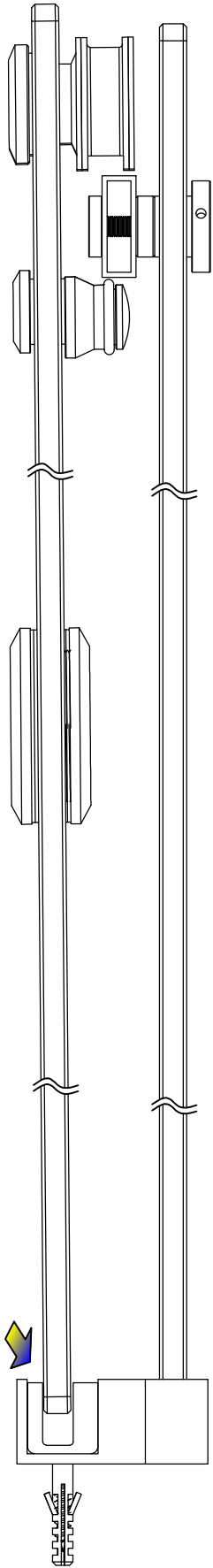


H=Fixed glass height

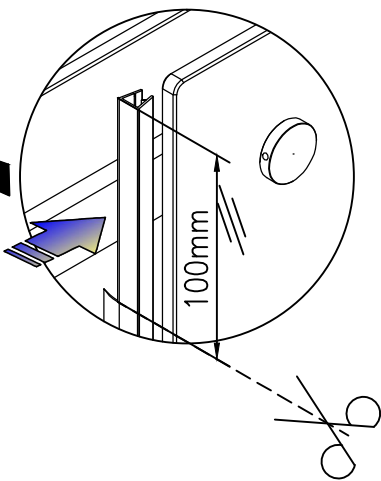
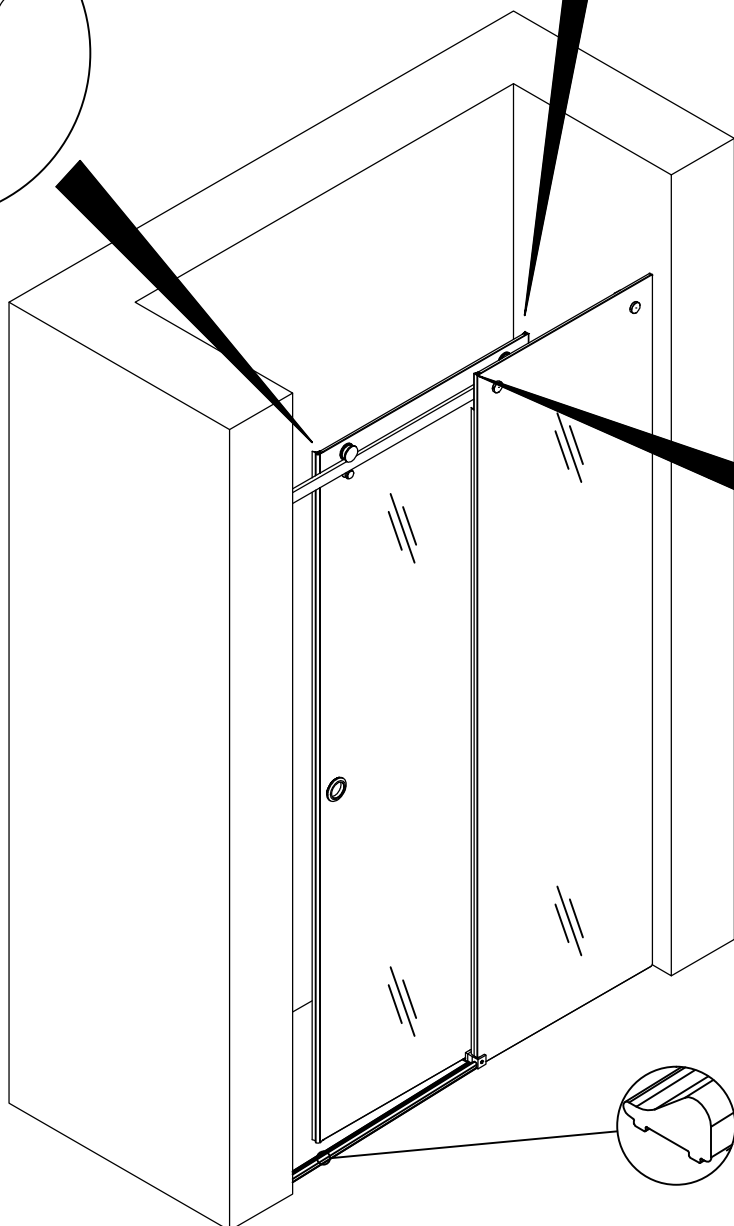
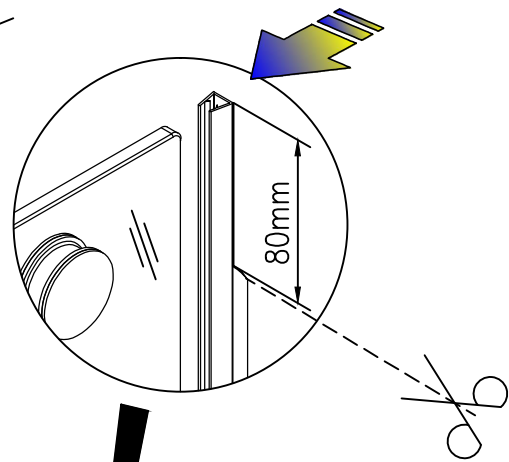
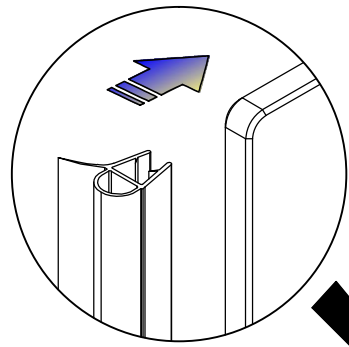
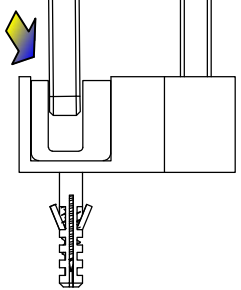


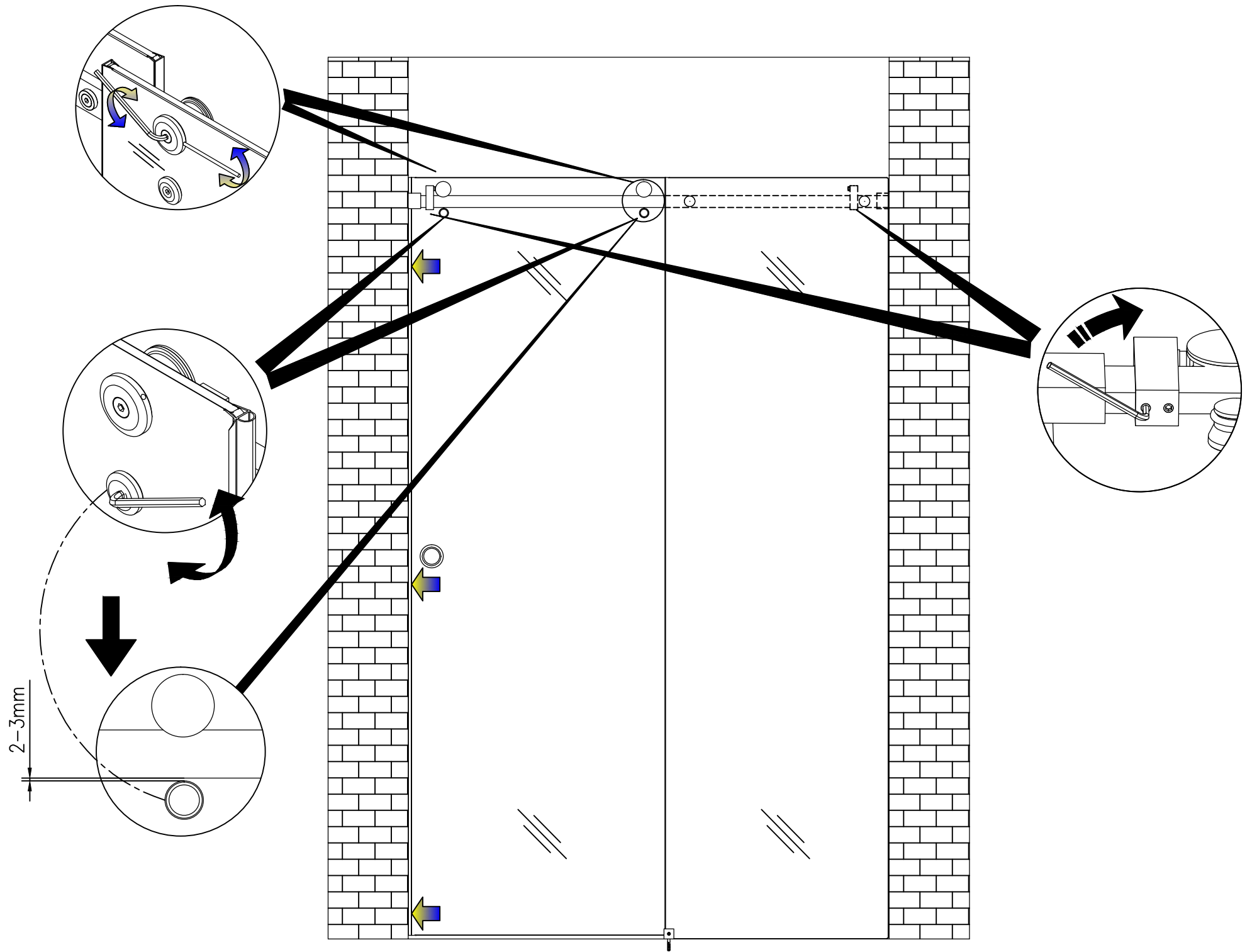


Step 2

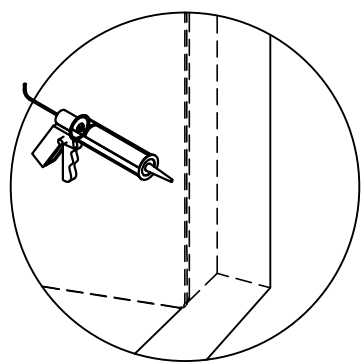


Step 1





After 24 Hours



Fixed glass(inside)

